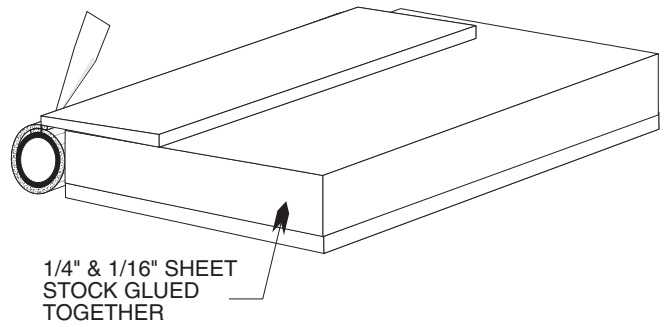
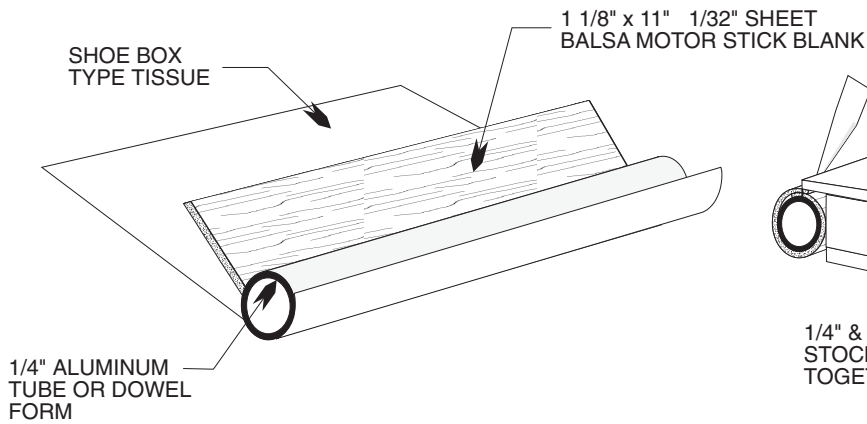


ROLLED BALSAM TUBE MOTOR STICK DETAILS



1. HOLD THE MOTOR STICK BLANK UNDER HOT RUNNING WATER FOR SEVERAL MINUTES.

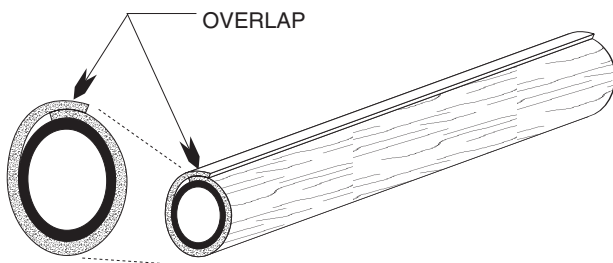
2. MAKE ONE WRAP AROUND THE FORM WITH THE TISSUE.

3. PLACE THE WET BLANK BETWEEN THE TISSUE AND THE FORM AS SHOWN.

4. ROLL THE FORM ON TO THE TISSUE CAPTURING THE BALSAM BLANK AS YOU GO. ROLL THE ASSEMBLY UNTIL 5 OR 6 WRAPS OF TISSUE HAVE OCCURRED.

5. HOLD THE ASSEMBLY TOGETHER WITH BANDS OF MASKING TAPE PLACED ABOUT 2" APART.

6. LET THE ASSEMBLY DRY OVER NIGHT, OR BAKE FOR 15 MIN IN AN OVEN ON LOW HEAT.



7. AFTER THE ASSEMBLY IS DRY, REMOVE THE MASKING TAPE AND THE TISSUE PAPER. YOU MAY NEED TO SLIDE THE FORM OUT OF PLACE TO BE SURE ALL TISSUE PAPER IS REMOVED.

8. THERE SHOULD BE AN OVERLAP WHERE THE EDGES OF THE BALSAM BLANK COME TOGETHER.

9. SLIDE THE FORM BACK IN TO THE ASSEMBLY.

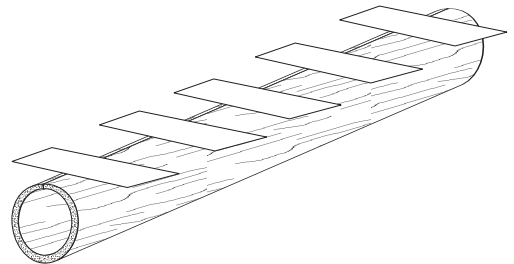
10. MAKE UP A TRIM SUPPORT BASE FROM PIECES OF 1/4" AND 1/16" STOCK AS SHOWN.

11. USING MASKING TAPE, ATTACH THE MOTOR STICK AND FORM UNIT TO THE SUPPORT BASE. THE OVERLAP SHOULD BE FACING UP AS SHOWN.

12. LAY A STRAIGHT EDGE ON THE MOTOR STICK AND SUPPORT BASE AS SHOWN. MAKE SURE THE CUTTING GUIDE EDGE IS PARALLEL WITH THE UNIT, AND CENTERED IN THE OVERLAP AREA.

13. CUT THROUGH BOTH LAYERS OF THE OVERLAP ALONG THE STRAIGHT EDGE.

14. AFTER THE CUT IS MADE, REMOVE THE MASKING TAPE AND THE TWO STRIPS OF SCRAP MATERIAL.



15. WITH THE FORM IN PLACE, USE 1/4" WIDE STRIPS OF MASKING TAPE TO "CLAMP" THE JOINT TOGETHER. MAKE SURE THE JOINT IS STRAIGHT.

16. SLIDE THE FORM OUT OF THE BALSAM TUBE.

17. WICK CA ADHESIVE INTO THE JOINT BETWEEN THE TAPE STRIPS. A SMALL AMOUNT WILL COVER A LOT OF AREA.

18. WHEN THE CA HAS FULLY SET UP, REMOVE THE TAPE STRIPS. LIGHTLY SAND.